



reddot winner 2024

**BR-SYSTEMS**   
BIKE LIFT SOLUTIONS

# BIKE GLIDE



# Enjoy your camper adventures with the **Bike Glide.**

Specially designed for camper vehicles, our Bike Glide Carrier offers maximum comfort for the transportation of your E-bikes or heavy bikes. Effortless loading and no more back pain – it's the ideal solution to transport your bikes with ease.

Our patented Bike Glide Carrier offers smooth manual operation, making it so easy to load and unload your classic and E-bikes.



SCAN FOR VIDEO



**SAY GOODBYE TO BACK PAIN**  
No more lifting heavy bikes!  
The integrated gasspring will do the job for you. No need to lift the bike yourself.



**GROUND-LEVEL LOWERING**  
With the Bike Glide Carrier, you can glide the carrier to ground level on most camper vehicles, ensuring easy access and convenience. **The carrier can bridge a height difference of 1,1m.**



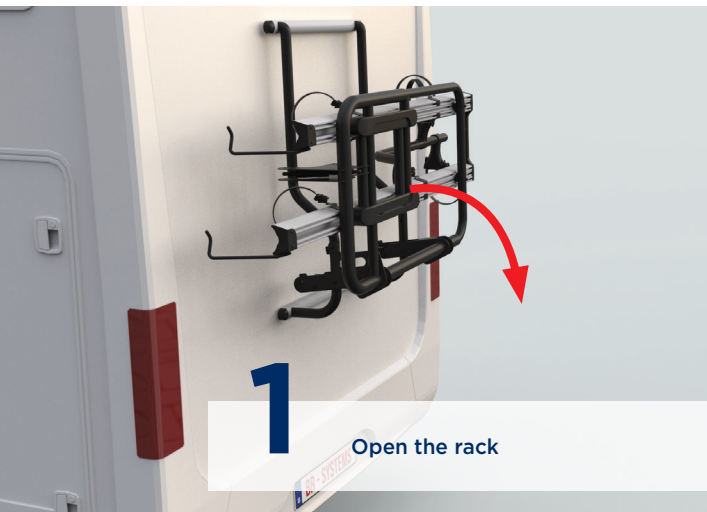
**EASY INSTALLATION**  
Enjoy a trouble free setup with our bike carrier. **No electric connection is needed,** making it quick to install.



**MAXIMUM LOAD CAPACITY**  
The Bike Glide Carrier has a **maximum load capacity of 60kg,** ensuring you can transport 2 E-bikes or classic bikes.

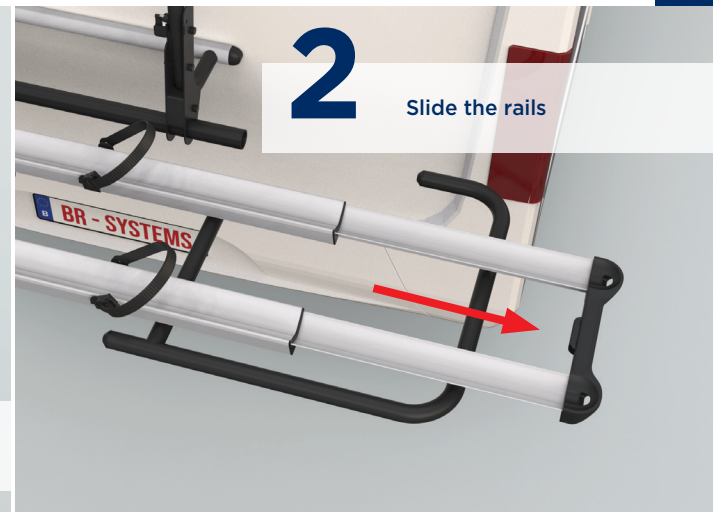


**EXTRA STRONG PLATFORM**  
The use of steel material and extra robust platform guarantee an everlasting durability.



1

Open the rack



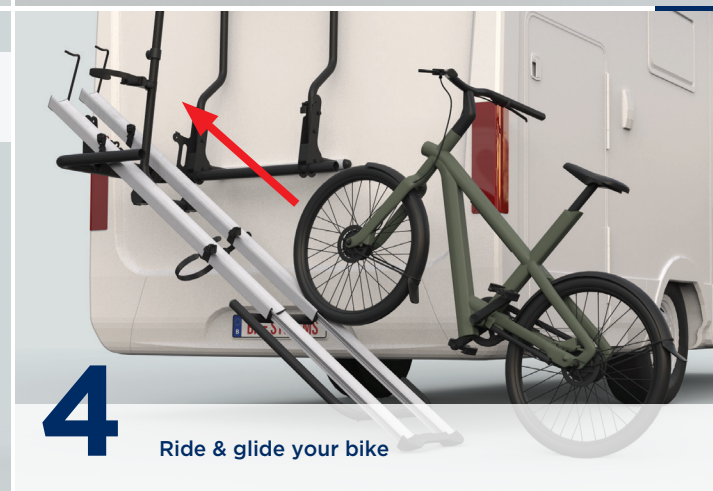
2

Slide the rails



3

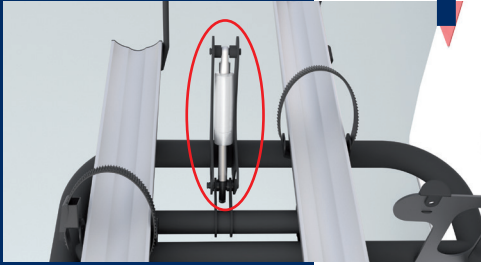
Tilt the platform



4

Ride & glide your bike

1



**GAS SPRING**

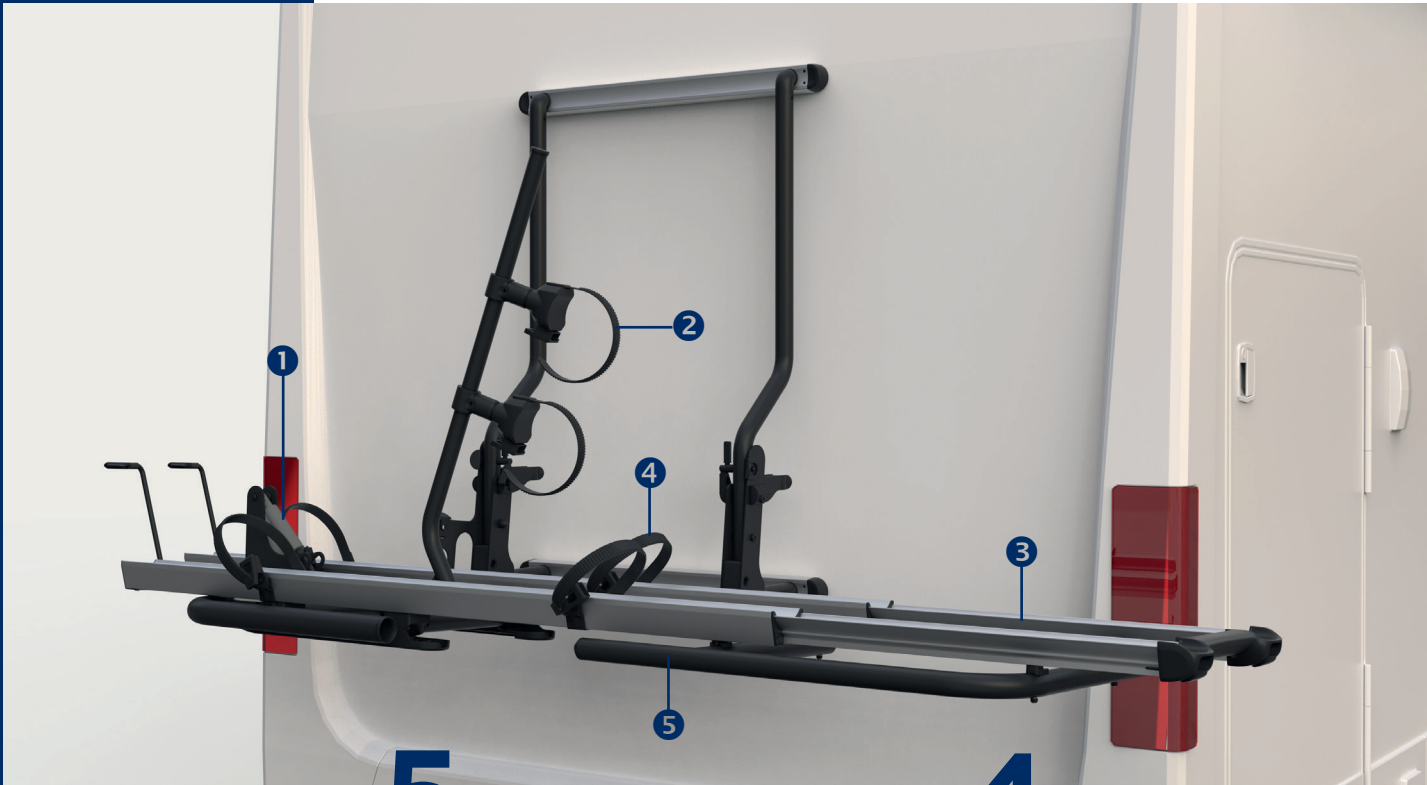
The platform is **easy to tilt** because the weight is absorbed by a gas spring.

2



**FRAMEHOLDERSTRAPS**

The frameholderstraps are **compatible for all frame types**, even large frames.



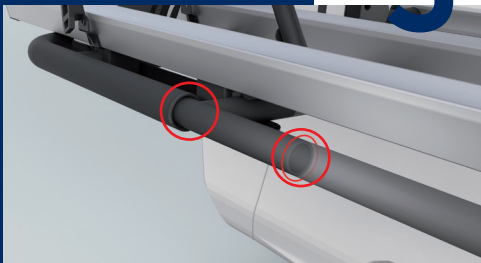
3



**EXTRA LARGE RAILS**

The rail has a width of 8,7 cm, making it **compatible for most tire sizes**.

5



**SOLIDITY**

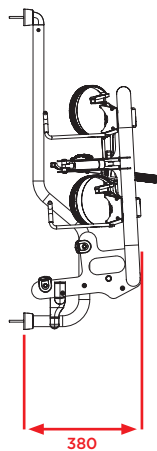
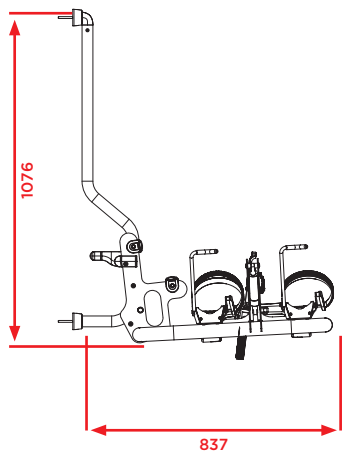
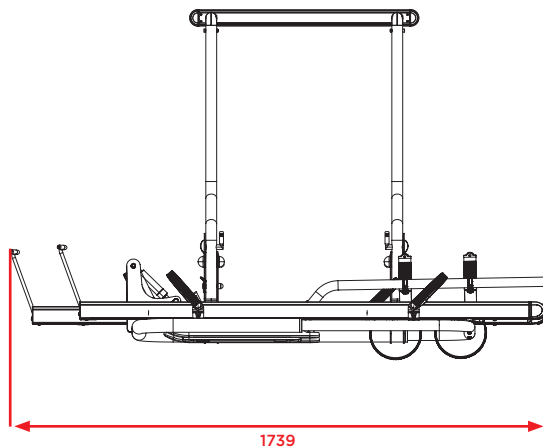
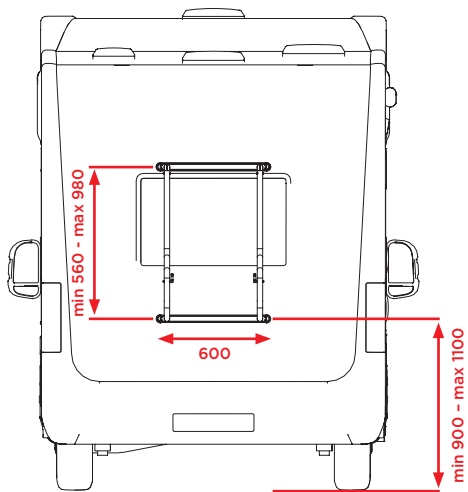
Extra solidity thanks to use of **KTL coated material** and **extra thick frame tubes** (up to 45mm diameter & up to 3mm thickness).

4



**WHEELSTRAPS**

The wheelstraps are easy to apply thanks to the **ratchet strap system**. This system uses a buckle with a ratcheting mechanism to tighten and secure the strap, providing a strong and adjustable hold. This system is **compatible with most wheel sizes**.



**Plug and Play:** the Bike Glide Carrier is easy to install and can be fitted on existing mounting rails.



Suitable for 2 classic bikes or 2 e-bikes with a **total weight of 60 kg.**



Maximum installation height (measured from lower rail): **1,1 m.**



Own weight: **20 kg.**

**BR-SYSTEMS**  
BIKE LIFT SOLUTIONS

Prostor bv - Evolis 90 - 8500 Kortrijk - Belgium  
T +32 (0)56 26 56 56 - info@br-systems.com - www.br-systems.com

Prostor bv will not be held responsible for any printing or colour errors.  
Content is subject to modifications (technical and prices).



reddot winner 2024